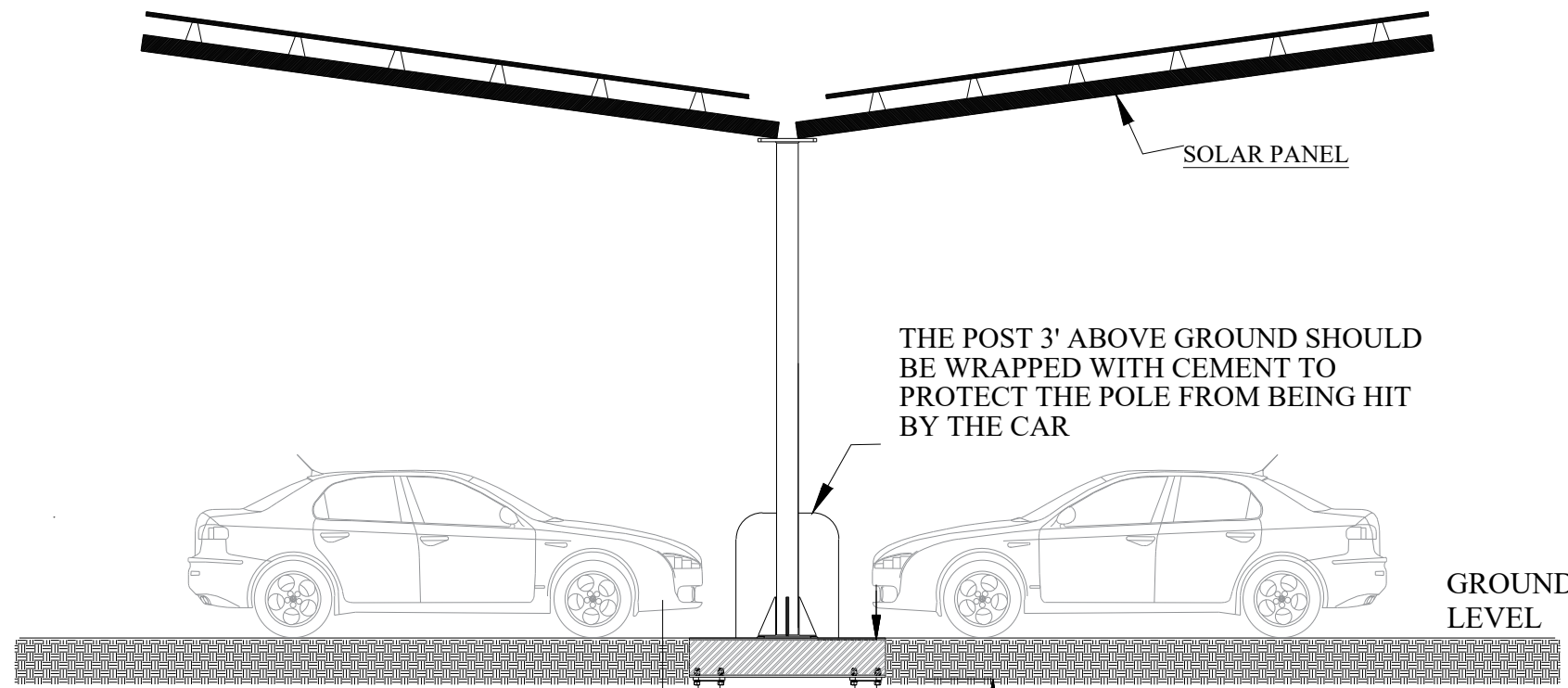
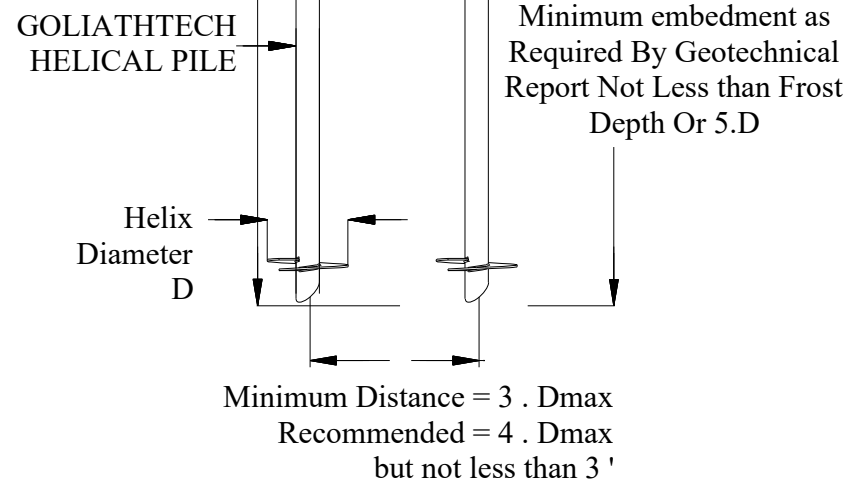
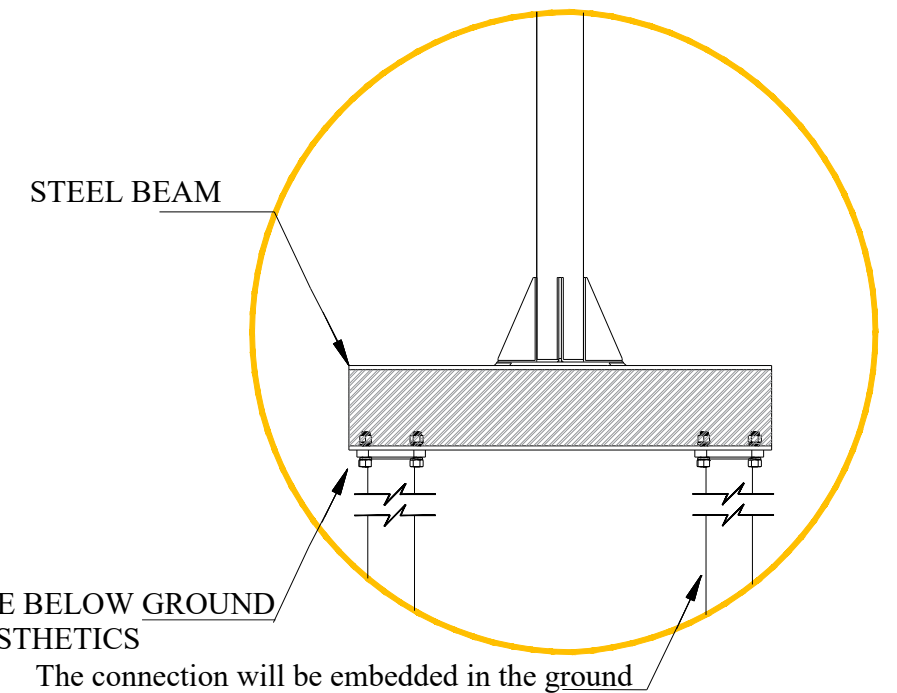


CARPORT

REVISIONS				
ZONE	REV.	DESCRIPTION	DATE	DESIGN
	2	INITIAL RELEASE	Jan-09-19	R.M



UNDERGROUND CONNECTION



POLE CONNECTION DETAIL

NOTES:
PILES: HOT-DIP GALAVANIZED
PARTS PER ASTM A123

GOLIATH TECH
SCREW PILE SYSTEM

CAR PORT SET UP WITH TWO PILES USING STEEL BEAM

DWG. SIZE B | DWG. NO. GTCARPORT-USC01

SCALE NO TO SCALE | SHEET 1 OF 1

Rev.2

DWG. NO. GTCARPORT-USC01

D

C

→

B

A

D

C

←

B

A